



Uprim

Portable foam unit for hose reel

UPRIM, more robust and more practical

TYPICAL USES :

- Fires in built-up areas.
- Car fires.
- Motorway accidents.
- Smothering of gas escapes.
- Safety measures before welding operations.
- Installation on hose reels to increase their effectiveness.
- Protection of machine tools.



- The extinguishing capacity of more than 40 fire extinguishers...
- Perfect stability
- Tank made of polyethylene.
- Delivery hose withstands low temperatures.
- Wide carrying handle, easy to grip even with gloves on.
- Low and medium expansion corrosion resistant nozzles.



UPRIM BF
LOW EXPANSION

CARACTÉRISTIQUES

Model	Dimensions H x L x D (mm)	Weight empty (kg)	weight full (kg)	Operating pressure (bar)	Flowrate (L/min)	Range (m)	Expansion ratio
UPRIM LX	630 x 274 x 185	3.250	13.550	3 – 10	60	4 à 9	8 – 10
UPRIM MX	630 x 365 x 185	3.550	13.850	3 – 10	60	3 à 6	50 – 70

Model	Capacity	Concentration mix-ratio	Pre-mix solution	Running time	Foam volume medium expansion (50)
UPRIM	10 Litres	6 %	166 L	3.2 – 4.1 min	8.4 m3
		3 %	333 L	6.4 – 8.2 min	16.7 m3
		1%	996 L	19.2 – 24.6 min	50.4 m3

Référence	1" thread	1" 1/2 thread
UPRIM BF	I30.00.041	I30.00.054
UPRIM MF	I30.00.042	I30.00.055

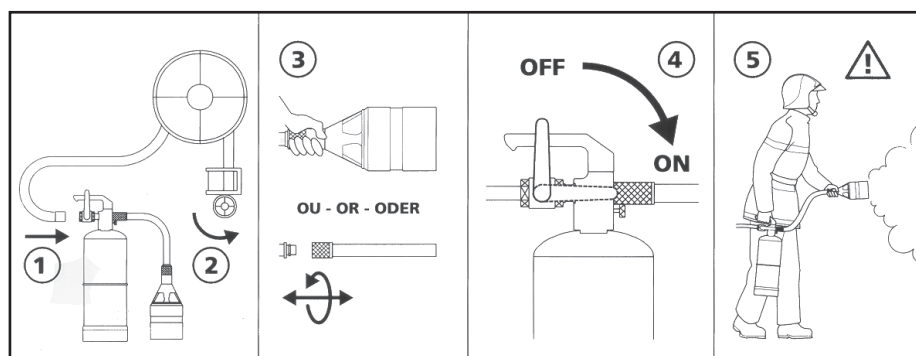
	Low expansion nozzle	Medium expansion nozzle
Reference	I30.80.031	I30.80.032

- 10 litres tank.
- Maximum resistance to internal corrosion by foam compounds and to weather conditions.
- Composite proportioning nozzle calibrated to 1, 3 or 6 %.
- Stainless steel plunger pipe screwed into nozzle.
- High density polyethylene medium expansion nozzles.
- Nozzles can be interchanged in seconds using the rapid connector.
- Delivery hose 0.60m made of reinforced NBR.
- Withstands extremes of temperature, from - 30 à + 90°
- Open / close tap allows perfect control of the appliance.
- Wide, ergonomically designed carrying handle gives a sure grip even when wearing thick safety gloves.
- Easy, fast maintenance.
- Large opening for foam filling.



U.P.R.I.M.

Utilisation



Point the branchpipe to the fire, according to instructions and procedures specific to the company, and the chosen foam compound (direct, side, wall, front attack.....)

After each use, the proportioning head should be removed from the cylinder and the system operated for 2 minutes with the pick-up tube immersed in a bucket of water in order to flush the unit.



ZF05.056.EN.2

As it is our policy to constantly seek to improve our products, we reserve the right to change the specification of our equipment without notice.

